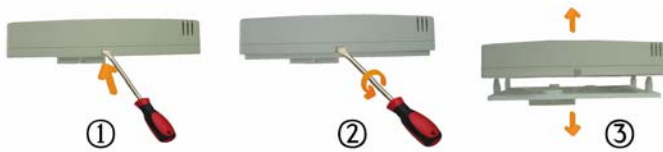


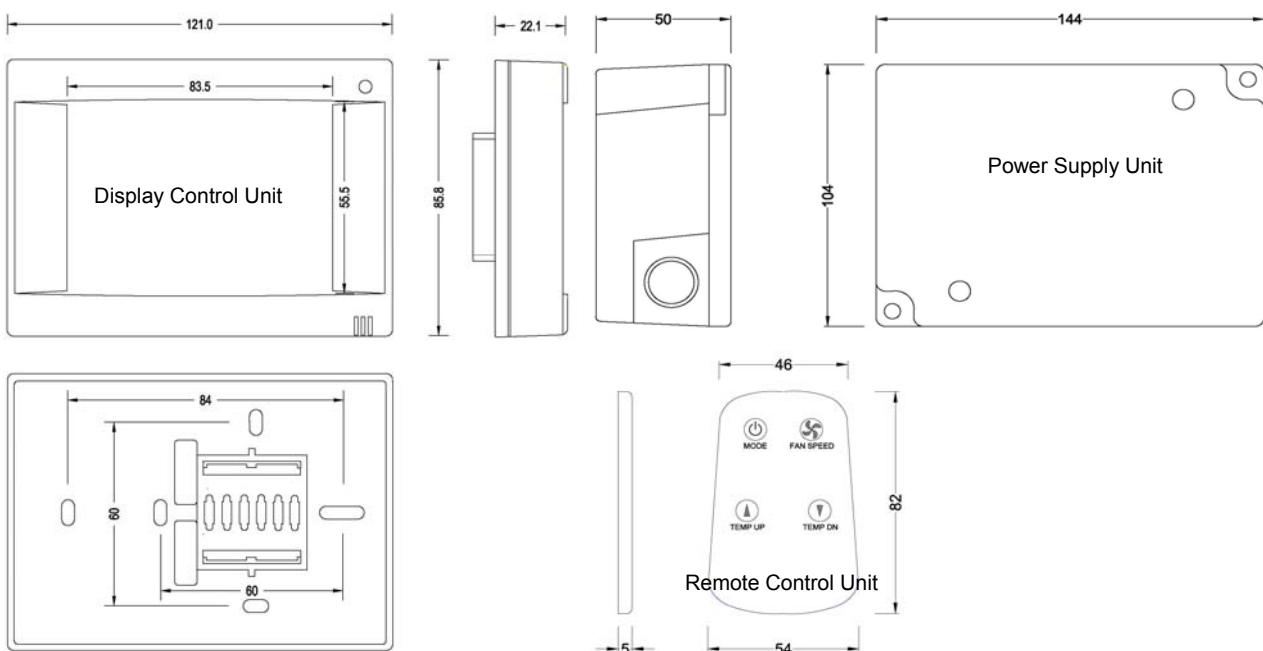
BACnet MS/TP Networking Room Thermostats with LCD and Touch Screen for Fan Coil Units Installation and Operation Instructions

Cover Removal Procedure



1. Poke a thin-blade screw driver into the slot between the cover and the base.
2. Slightly lever the screw driver upwards to crack open the cover from the base.
3. Hold the base firmly with one hand and remove the cover with another hand by pulling away from the base forcibly.

Dimensions in mm



Thermostat Errors Reporting

When the following errors are reported on the LCD unit, these errors will prevent the thermostat from normal operation:

- E-1** EEPROM read/write error
- E-2*** Temperature sensor open-circuited
- E-3** Temperature sensor short-circuited
- E-4** User configuration check error

* If jumper JP1 is cut open and external sensor is used, E-2 means the external sensor may have been disconnected from Terminals SR1 and GND. Check the external sensor's connectivity and resistive value. If E-2 error is still reported, return the thermostat to the manufacturer for repair.

When E-2 or E-3 is displayed, the thermostat will be locked out and cut-off the outputs.

When the error E-1 or E-3 is reported or when the error E-2 is reported without jumper JP1 being cut and external sensor being installed, return the thermostat to the manufacturer for repair.

When the error E-4 is reported, disconnect and reconnect power to the thermostat. If error still exists, return the thermostat to the manufacturer for repair.

Network & Cabling Requirements

To ensure network stability and reliable communications, particularly at high speeds on a BACnet MS/TP network with a number of devices, it is imperative that the following network and cabling requirements are adhered to:

Item	Description
Cabling	It is recommended to use networking cabling that matches the following specifications: <ul style="list-style-type: none"> Balanced 100 to 120 ohms nominal impedance, 22 or 24 AWG Twisted Shielded Pair (TSP) Cable Nominal capacitance of 52 pF/m or lower Nominal velocity of propagation of 66% or higher Terminating the shield to ground at one end only for each isolated segment will prevent ground loops in the shield and drain RF energy to ground. Grounding at the BACnet router or controller is preferred.
Topology	Ensure the MS/TP network cable is installed as a daisy chain from one device to the next.
Maximum Nodes	The maximum number of devices is 32 per MS/TP network segment and 64 per network trunk with one Repeater.
Terminator	A terminator of 120-ohm impedance must be installed at each end of each MS/TP network segment, or two per MS/TP network. Ensure that this requirement is not overlooked in laying out the network architecture and ordering product.
Cable Shielding	Use a shielded, twisted pair cable for communications. Never directly ground wire in more than one point on the shield. Doing so can induce large currents and result in communication problem.
Repeater	A repeater is not necessary unless more than 32 nodes will be installed on a network or the MS/TP network is extended beyond 1,000 m.

Touch Screen and LCD layout



Operation Notes

- LCD shows ambient temperature or current set point value constantly except when set point adjustment is being made or in parameters setup mode.
- Tap the system operating icon to enter into the desired operating mode: Cool-Heat-Auto-Fan Only-Off, etc.
- Tap the fan operating icon to change the fan speed mode: High-Med-Low-Auto.
- Increase or decrease temperature set point in 0.5 K increments by tapping adjustment key ▲ or ▼ respectively. When the adjustment icon is tapped, the LCD shows the current set point value.
- When the unoccupied contact closes, it will override the operating mode and operate the thermostat in energy saving mode despite the thermostat being in operating or standby mode.
- In unoccupied mode, the factory-set temperature cut-in points are 26°C for cooling and 16°C for heating. Meanwhile, the operation of all operation keys are locked out until the unoccupied contact opens.
- During unoccupied mode, the default fan speed is set at "low" when pre-set cut-in temperature is reached, or otherwise the fan output is always "off".
- Unoccupied mode can be activated in the following manner when the unoccupied contact closes:
 - For 2-pipe models with auto seasonal changeover, the unoccupied cooling or heating mode is determined by the status of the SR2 seasonal changeover sensor and the valve output is activated according to the measured temperature.
 - For 2-pipe models with manual seasonal changeover, the unoccupied cooling or heating status is determined by the last status of the occupied mode and the valve output is controlled according to the measured temperature.
 - For 4-pipe models, the unoccupied cooling or heating mode is always determined by the measured temperature and valve output is also activated according to the measured temperature.
- Unoccupied mode activation in operating mode only or in both standby and operating mode will be determined by activation setting in setup menu. Low fan will run according to fan action setting in setup menu.
- When unoccupied mode is activated, all keys are locked out and no settings can be entered.
- When Window contact closes, it will override the operating mode and operate the thermostat in off mode despite the thermostat being in operating or standby mode. Meanwhile, all operating keys are locked out until the window contact opens.
- When error E2 or E3 is displayed, the thermostat will be lock-out and cut-off the outputs.

Wiring Diagrams

The networking thermostats consist of two basic units: the Network Control Unit and the Power Supply Unit. While all line-voltage wiring is terminated at the Power Supply Unit, all connections between Network Control Unit and Power Supply Unit are of low-voltage signaling wires.

Wiring and Application Notes

- Cut jumper JP1 if external sensor is wired to SR1 and GND. Run the wiring away from any electrical motors or power wiring. Failure to do so may result in poor thermostat performance due to electrical noise.
- 22 AWG twisted shielded pair double-insulated cable is recommended as remote sensor wiring and its length must not exceed 25 m.
- Do not bundle and run power wiring and remote sensor wiring in the same conduit.
- Connecting wires between Network Control Unit and Power Supply Unit must not exceed 15 m.
- Seasonal changeover sensor or switch is only applicable to

heat only or cool only 2-pipe model only.

- The seasonal changeover sensor should be wrapped around the supply water pipe when associated with a water system. When the changeover sensor temperature exceeds 30 °C, the thermostat enters into heating mode.
- Unoccupied contact closure activates energy saving mode.
- Window contact closure turns off the thermostat.
- Hidden-line wiring for Terminals V2 and 6 are applicable to dual-output models only.

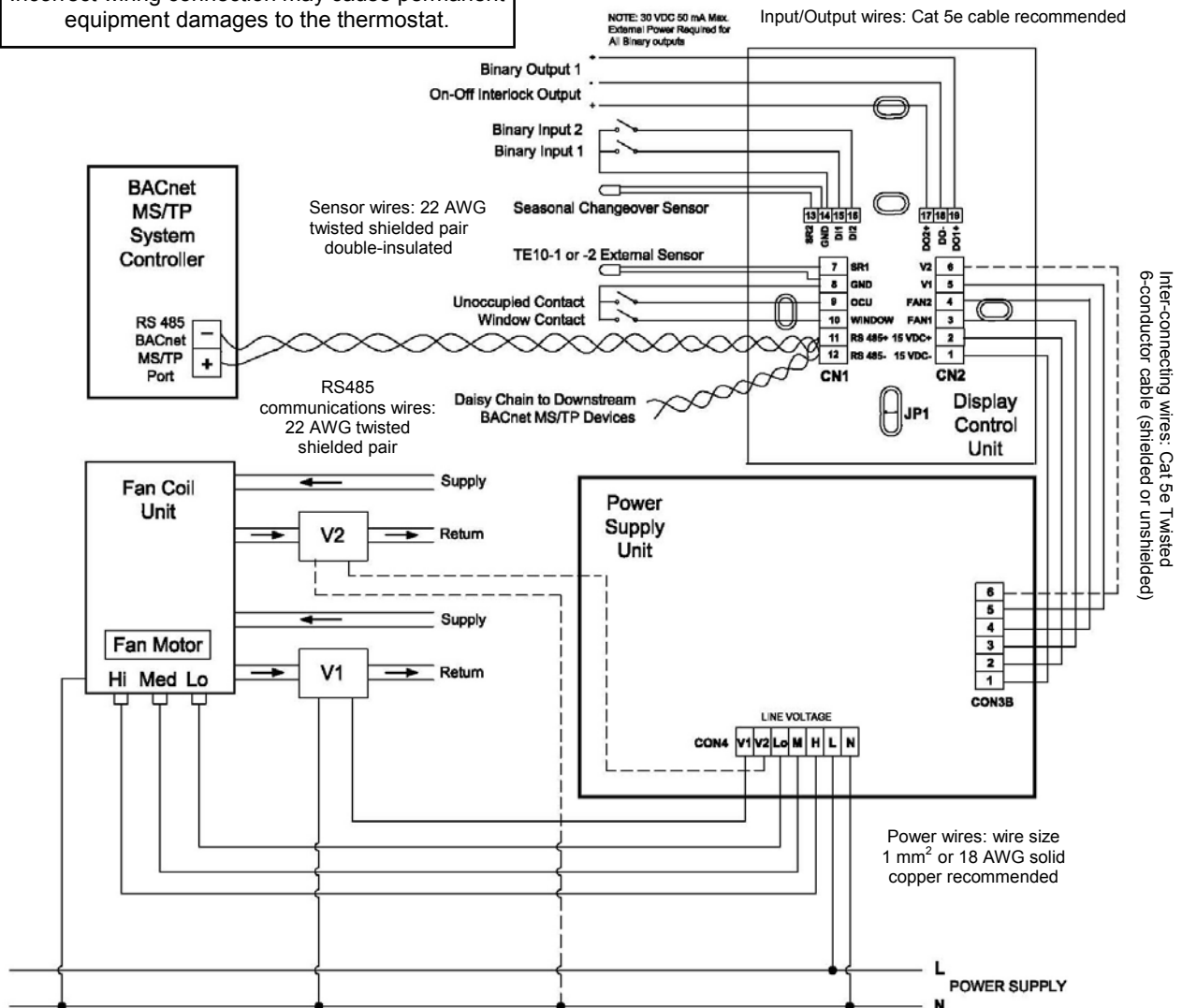
Piping Notes:

1. On a single-output unit, V1 can be either a line-voltage cooling or a line-voltage heating valve.
2. On a dual-output unit, V1 must be a line-voltage cooling valve and V2 a line-voltage heating valve.

Wiring Diagram for Line-Voltage Fan and Line-Voltage 2-Wire On-Off Valve Outputs

WARNING

Incorrect wiring connection may cause permanent equipment damages to the thermostat.



Wiring Diagrams

The networking thermostats consist of two basic units: the Network Control Unit and the Power Supply Unit. While all line-voltage wiring is terminated at the Power Supply Unit, all connections between Network Control Unit and Power Supply Unit are of low-voltage signaling wires.

Wiring and Application Notes

- Cut jumper JP1 if external sensor is wired to SR1 and GND. Run the wiring away from any electrical motors or power wiring. Failure to do so may result in poor thermostat performance due to electrical noise.
- 22 AWG twisted shielded pair double-insulated cable is recommended as remote sensor wiring and its length must not exceed 25 m.
- Do not bundle and run power wiring and remote sensor wiring in the same conduit.
- Connecting wires between Network Control Unit and Power

Supply Unit must not exceed 15 m.

- Seasonal changeover sensor or switch is only applicable to heat only or cool only 2-pipe model only.
- The seasonal changeover sensor should be wrapped around the supply water pipe when associated with a water system. When the changeover sensor temperature exceeds 30 °C, the thermostat enters into heating mode.
- Unoccupied contact closure activates energy saving mode.
- Window contact closure turns off the thermostat.
- Hidden-line wiring for Terminals V2 and 6 are applicable to dual-output models only.

Piping Notes:

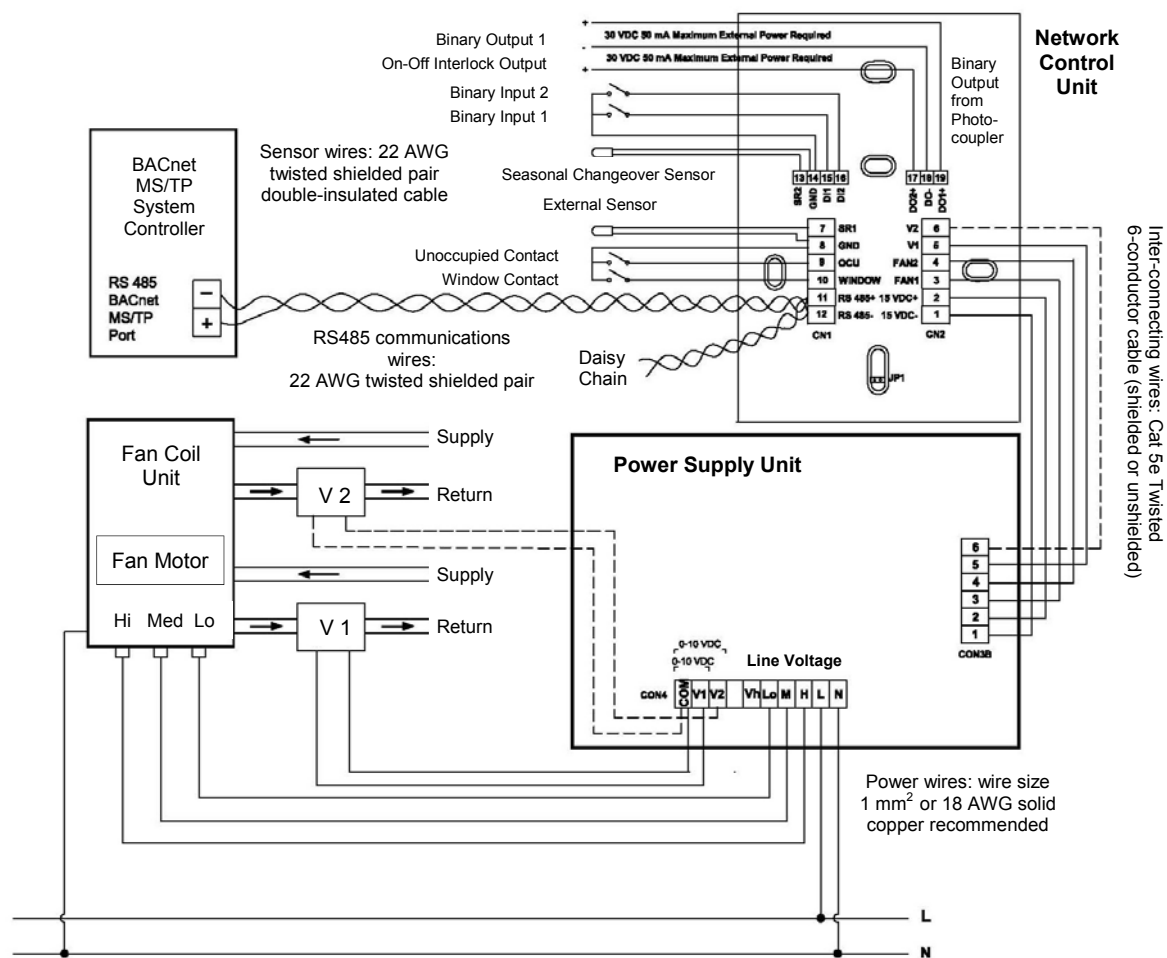
1. On a single-output unit, V1 can be either a 0-10 VDC cooling or a 0-10 VDC heating valve.
2. On a dual-output unit, V1 must be a cooling valve and V2 a heating valve.

Wiring Diagram for Line-Voltage Fan and 0-10 VDC Valve Outputs

WARNING

Incorrect wiring connection may cause permanent equipment damages to the thermostat.

Input/Output wires: Cat 5e cable recommended



Wiring Diagrams

The networking thermostats consist of two basic units: the Network Control Unit and the Power Supply Unit. While all line-voltage wiring is terminated at the Power Supply Unit, all connections between Network Control Unit and Power Supply Unit are of low-voltage signaling wires.

Wiring and Application Notes

- Cut jumper JP1 if external sensor is wired to SR1 and GND. Run the wiring away from any electrical motors or power wiring. Failure to do so may result in poor thermostat performance due to electrical noise.
- 22 AWG twisted shielded pair double-insulated cable is recommended as remote sensor wiring and its length must not exceed 25 m.
- Do not bundle and run power wiring and remote sensor wiring in the same conduit.

- Connecting wires between Network Control Unit and Power Supply Unit must not exceed 15 m.
- Seasonal changeover sensor or switch is only applicable to heat only or cool only 2-pipe model only.
- The seasonal changeover sensor should be wrapped around the supply water pipe when associated with a water system. When the changeover sensor temperature exceeds 30 °C, the thermostat enters into heating mode.
- Unoccupied contact closure activates energy saving mode.
- Window contact closure turns off the thermostat.

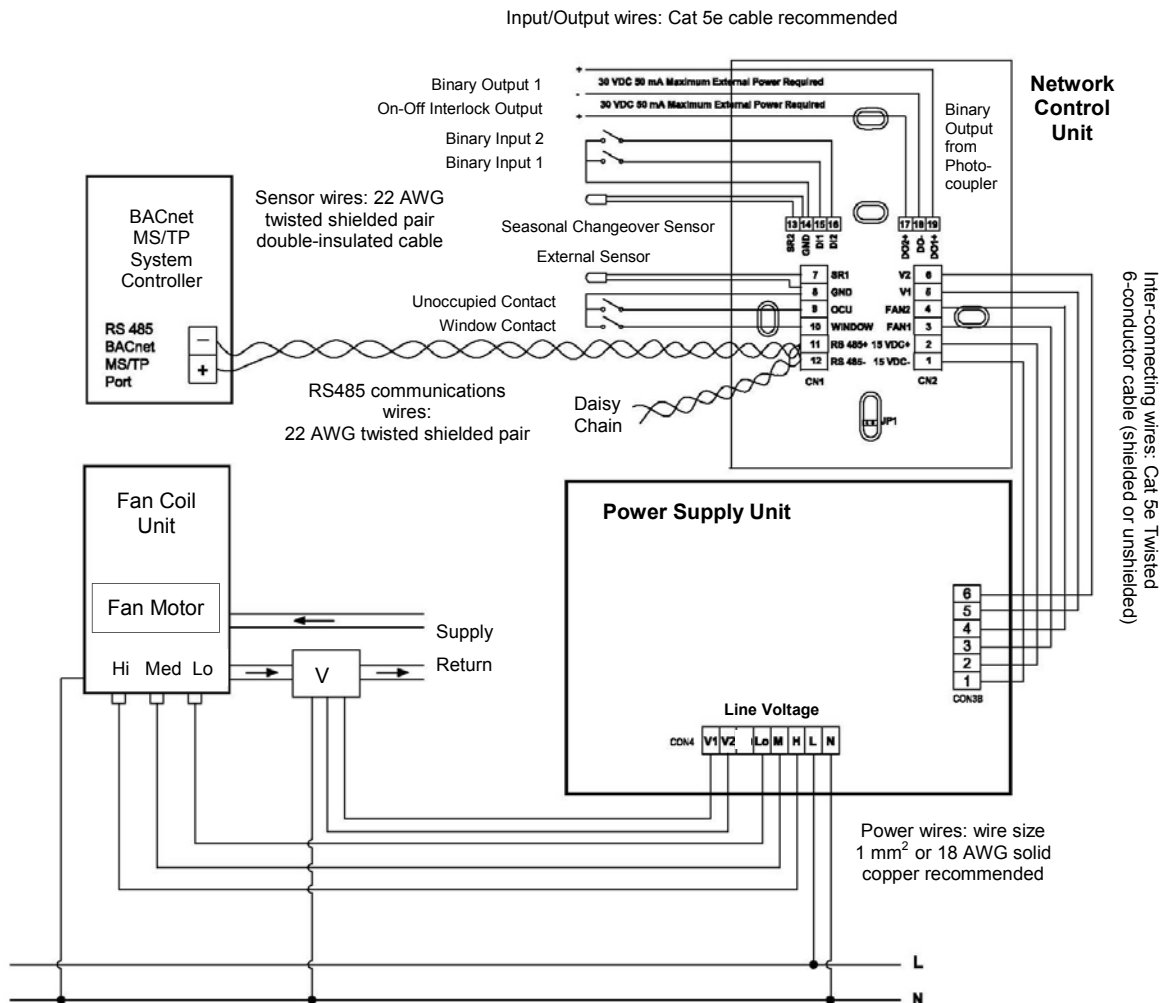
Piping Note:

V must be a line-voltage or 24 VAC 3-wire floating valve, depending on the selected model. V1 output opens valve and V2 output closes valve.

Wiring Diagram for Line-Voltage Fan and Single Line-Voltage 3-Wire Floating Valve Output

WARNING

Incorrect wiring connection may cause permanent equipment damages to the thermostat.



Wiring Diagram for Line-Voltage Fan and Single 24 VAC 3-Wire Floating Valve Output

WARNING

Incorrect wiring connection may cause permanent equipment damages to the thermostat.

