

Fan Speed Switch Installation and Operation Instructions

Figure 1: Dimensions in mm

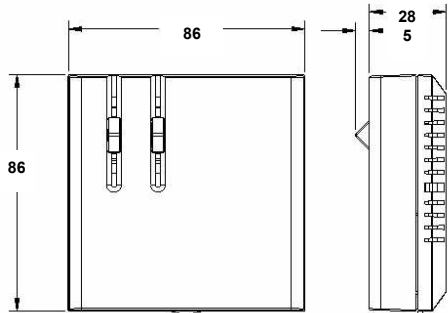
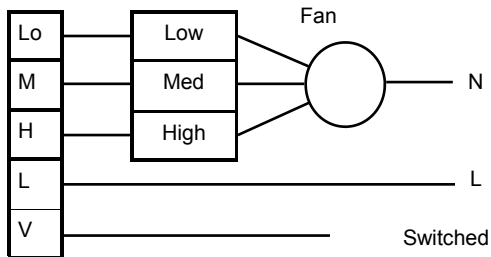


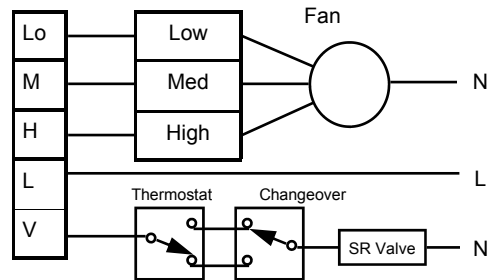
Figure 2: Mounting

The fan-speed switch can be surface mounted or secured to a standard European 75x75x35 mm electrical box. Two mounting screws are included

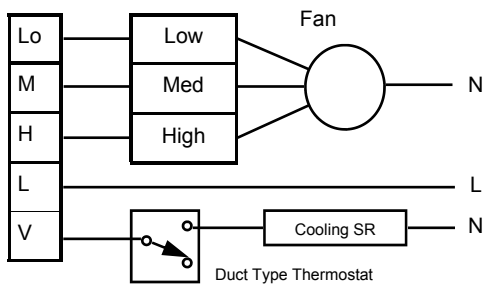
Figure 3: Wiring Diagrams



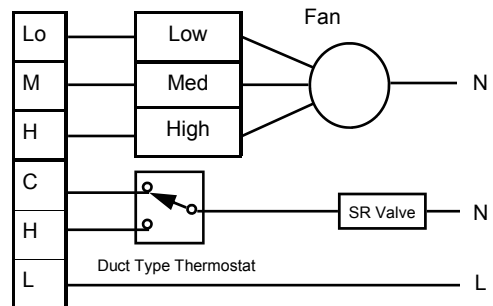
S121



S121



S121



S122

Remarks: SR Valves = Spring return valve

WARNING

Incorrect wiring connection may cause permanent equipment damages to the thermostat.