

# Electronic Room Thermostats Installation and Operation Instructions

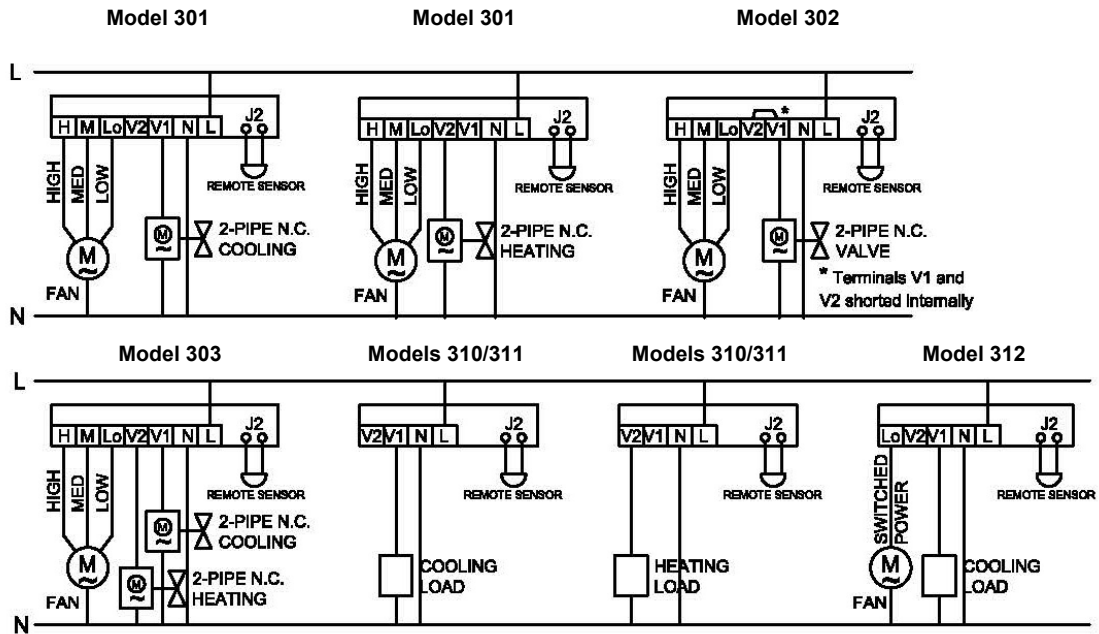
## Mounting

The electronic room thermostats can be surface mounted or secured to a standard European 75x75x35 mm electrical box. Two mounting screws are included.

## Wiring Notes

1. 22 or 24 AWG twisted shielded pair double-insulated cable is recommended as remote sensor wiring and its length must not exceed 50 m.
2. Do not bundle and run power wiring and remote sensor wiring in the same conduit.
3. Run the remote sensor wiring away from any electric motors or power wiring. Failure to do so may result in poor thermostat performance due to electrical noise.

## Wiring Diagrams

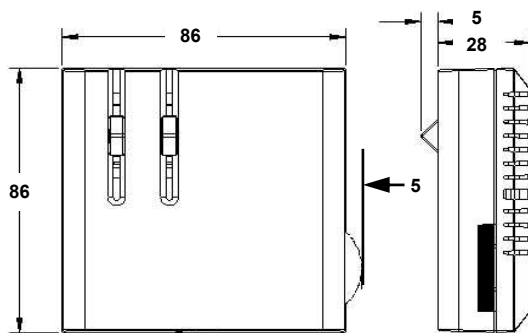


All valves are 2-wire spring-return valves.

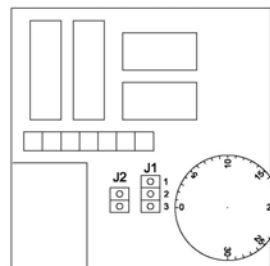
N.C. = Normally-closed

**Warning! Disconnect power before equipment connection or servicing to prevent electric shock.**

## Dimensions in mm



## Jumper Settings



When remote sensor is connected to connector J2 by means of wire leads RSL, insert jumper J1 to positions 2 and 3. Factory setting of J1 is at positions 1 and 2 for built-in sensor.