



BMG Series BACnet MS/TP Gateway Module for NT10,NT50, NC24 RS-485 Networking Thermostats

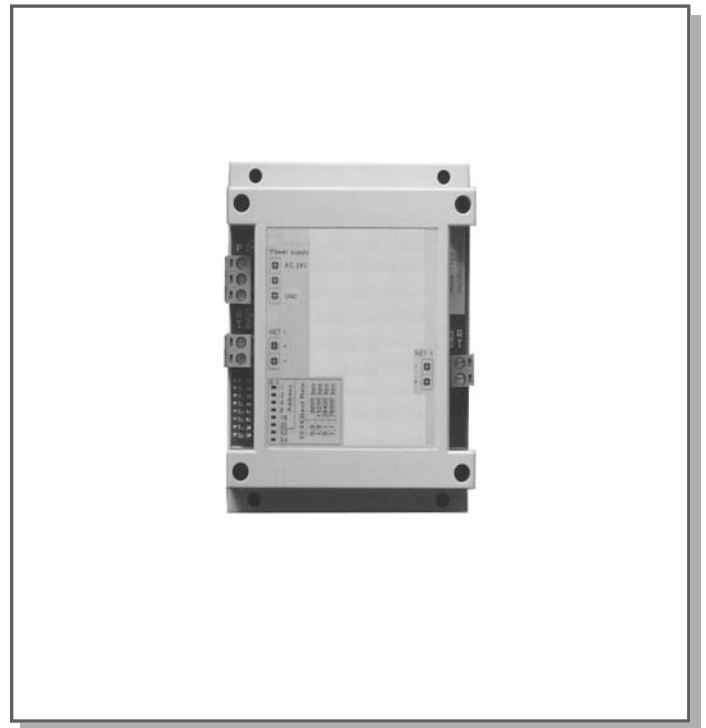
General

The BMG Series is a BACnet network gateway module which routes communication traffic between BACnet MS/TP network and Modbus RTU network.

While the BMG (master) communicates on a RS-485 network at its NET1 communication port in BACnet MS/TP protocol, it can support up to 32 units of NT10, NT50, NC24 RS-485 networking room thermostats (slaves) on a RS-485 network at its NET2 communication port in Modbus RTU protocol.

The BMG provides 2 addresses. NET 2 address is always 0 which is the address of the Modbus RTU network. NET 1 address is the MAC address of the BACnet MS/TP network which is set up for a maximum of 32 devices. The NET 1 address is set via DIP switches in the device.

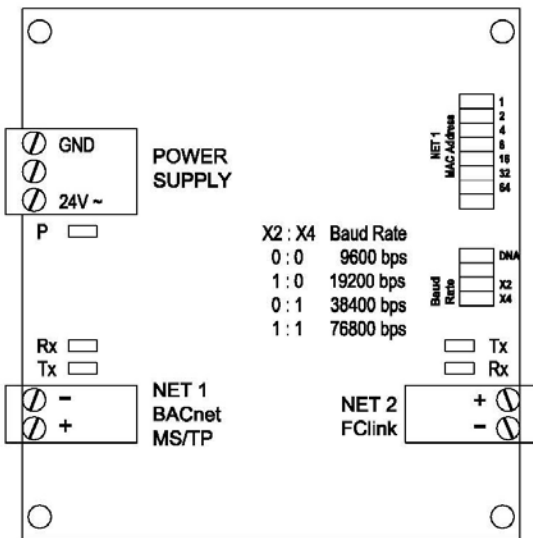
If more than 32 masters are needed in the system, an additional system device is required for the second BACnet MS/TP network.



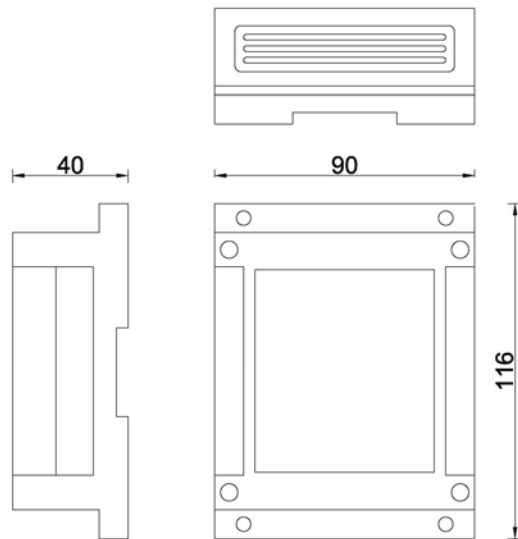
Specifications

Product model number	BMG-MR	Gateway for NT10 and NT50 RS-485 Modbus RTU networking thermostats
	BMG-NC24A	Gateway for NC24A RS-485 Modbus RTU networking controllers
	BMG-NC24T	Gateway for NC24T RS-485 Modbus RTU networking controllers
Power requirements	Voltage	22-28 V 50/60 Hz or 16-30 VDC
	Current	Maximum 200 mA
NET 1 communication port	Physical	RS-485 with opto-coupler Isolation
	Baud rate	Field selectable 9600, 19200, 38400 or 76,800 bps set via DIP switches (Factory Set 38,400 bps)
	Protocol	BACnet MS/TP
	Indicators	Red LED for data receiving and green LED for data transmitting
	Device MAC address	Set via DIP Switches
	Maximum number	32 BMG-MR in one BACnet MS/TP network
	Service supported	Who Is, ReadProperty, ReadPropertyMultiple, WriteProperty
	Objects supported	Device, Analog Input, Analog Output, Analog Value, Binary Input, Binary Output, Multi-state Output
	Object names	Static
NET 2 communication port	Physical	RS-485 with opto-coupler Isolation
	Baud rate	Fixed at 19,200 bps
	Protocol	Modbus RTU
	Indicators	Red LED for data receiving and green LED for data transmitting
	Device address	Always 0
	Maximum number	32 slaves in one Modbus RTU network
Ambient/storage temperature limits	0 to 55 °C / -30 to 50 °C, 10 to 90% RH Non-condensing	
Wiring class	Class II for 24 VAC Power Supply	
Connectors	Removable screw-type terminal connectors	
Power wires	Wire size 1 mm ² or 18 AWG solid copper recommended	
Communication wires	Balanced 100 to 120 Ω nominal Impedance twisted shielded pair (TSP) cable	
Shipping weight	0.25 kg (1 lb)	
Dimensions	90 x 116 x 40 mm (W x L x D)	

Termination Diagram



Dimensions in mm



Gateway Baud Rate Setting

Make sure that the baud rate of the gateway is set to match the network baud rate.

Example: If the network baud rate is 38,400 bps, set the DIP switches X2 and X4 to OFF and ON respectively.

Network, Cabling and Step-down Transformer Requirements

To ensure network stability and reliable communications, particularly at high speeds on a BACnet MS/TP network for a number of devices, it is imperative that the following network and cabling requirements are adhered to:

Item	Description
Cabling	It is recommended to use networking cabling that matches the following specifications: <ul style="list-style-type: none"> Balanced 100 to 120 ohms nominal impedance, 22 or 24 AWG Twisted Shielded Pair (TSP) Cable Nominal capacitance of 52 pF/m or lower Nominal velocity of propagation of 66% or higher Terminating the shield to ground at one end only for each isolated segment will prevent ground loops in the shield and drain RF energy to ground. Grounding at the BACnet router or controller is preferred.
Topology	Ensure the MS/TP network cable is installed as a daisy chain from one device to the next.
Maximum Nodes	The maximum number of devices is 32 per MS/TP network segment and 64 per network trunk with one Repeater.
Terminator	A terminator of 120-ohm impedance must be installed at each end of each MS/TP network segment, or two per MS/TP network. Ensure that this requirement is not overlooked in laying out the network architecture and ordering product.
Cable Shielding	Use a shielded, twisted pair cable for communications. Never directly ground wire in more than one point on the shield. Doing so can induce large currents and result in communication problem.
Repeater	A repeater is not necessary unless more than 32 nodes will be installed on a network or the MS/TP network is extended beyond 1,000 m.
Step-down Transformer	A separate isolated double-wound transformer is recommended for supplying 24 VAC power to each BMG. If and when the same transformer is shared with other devices, observe the polarities of the power supply of all devices including the BMG.

Language, Gateway Instance ID and Communication Protocol Setup Procedure

System Setting Objects

There are 2 objects for system setup defined as:

Object Name	Object	Value	Unit	Object Type	Read/Write	Priority Array
*** SYS SELECT	yyyyyy.AV1 (*2)	*1	None	Analog Variable	R/W	None
*** SYS VALUE	yyyyyy.AV2 (*2)	*1	None	Analog Variable	R	None

Note: System setting can be changed by writing value to *** SYS SELECT.

Write property value to ***SYS SELECT	Function Description															
2012	Change all descriptions to CHINESE. New setting will take effect after entering a restart command 3003 followed by reloading descriptors at the NET Manager.															
2014	Change all descriptions to ENGLISH. New setting will take effect after entering a restart command 3003 followed by reloading descriptors at the NET Manager.															
3003	Restart															
2004	To set device instance ID. This is a two-step operation: after writing 2004 to ***SYS SELECT, wait until *** SYS VALUE changes to -1, then write an integer 'n' (where $0 \leq n \leq 12799$) to ***SYS SELECT. Assuming the DIP switches' MAC address is set as 'm', the device instance ID is 'n*100 + m'. New setting will take effect after entering a restart command 3003 followed by reloading descriptors at the NET Manager.															
2008	To set protocol model number. This is a two-step operation: after writing 2008 to ***SYS SELECT, wait until *** SYS VALUE changes to -2, then write an integer 'n' (where $0 \leq n \leq 3$) to ***SYS SELECT. New setting will take effect after entering a restart command 3003 followed by reloading descriptors at the BMG Manager. NET2 communication protocol is configured as follows: <table border="1" data-bbox="379 1160 1311 1339"> <thead> <tr> <th>n Value</th> <th>Gateway Model Number</th> <th>Communication Protocol</th> </tr> </thead> <tbody> <tr> <td>0</td> <td>BMG-NT-MR</td> <td>For Modbus RTU NT10 and NT50</td> </tr> <tr> <td>1</td> <td>BMG-NT-MC</td> <td>For FLink NT10 and NT50</td> </tr> <tr> <td>2</td> <td>BMG-NC24A</td> <td>For Modbus RTU NC24A</td> </tr> <tr> <td>3</td> <td>BMG-NC24T</td> <td>For Modbus RTU NC24T</td> </tr> </tbody> </table>	n Value	Gateway Model Number	Communication Protocol	0	BMG-NT-MR	For Modbus RTU NT10 and NT50	1	BMG-NT-MC	For FLink NT10 and NT50	2	BMG-NC24A	For Modbus RTU NC24A	3	BMG-NC24T	For Modbus RTU NC24T
n Value	Gateway Model Number	Communication Protocol														
0	BMG-NT-MR	For Modbus RTU NT10 and NT50														
1	BMG-NT-MC	For FLink NT10 and NT50														
2	BMG-NC24A	For Modbus RTU NC24A														
3	BMG-NC24T	For Modbus RTU NC24T														

Derived Network Addressing (DNA)

The DNA DIP switch is set by factory default to ON position. This allows the gateway to automatically configure a BACnet instance ID number. This setting should not be changed unless an authorized agent is assigning a BACnet instance ID number through the system setup procedure. The BACnet instance ID number should not be confused with the gateway MAC address DIP switch setting, and each gateway must still have a unique DIP switch MAC address even when using software to define the gateway's instance ID number.

Example: If the MAC address of the upstream network router or controller is 8 and the gateway MAC address is set as 13, the gateway's DNA BACnet Instance ID is 80013 ($8 \times 10000 + 13$).

Notes:

- *1 When DNA function is turned on (DIP switch set as 1), 2004 function is disabled. When DNA function is turned off (DIP switch set as 0), 2004 function is enabled.
- *2 yyyyy is the the BACnet instance ID number which can be either the DNA or a number assigned manually through the system setup procedure.

Gateway MAC Addressing

The DIP switch is a binary switch. Each individual DIP switch represents a unique value, which forms the gateway MAC address when added together. To set the address, simply move the switches that add up to the gateway's desired address to the ON position.

Example: If the gateway is to be address 7 on the network, set the switches numbered 1, 2 and 4 (equals 7) to the ON position.

Note: Each gateway on the same MS/TP network segment must have a unique DIP switch address.

For NT10 and NT50 networking Room Thermostat with Modbus RTU Communication Protocol

If the NT10's or NT50's MAC address is xx, its associated objects are:

Object Name	Object	Value	Unit	Type	Read/Write	Priority Array
#xxNT - Temperature Setpoint	yyyyy.AOxx1	(5-35) / (41-95)	None	Analog Output	R/W	16
#xxNT - Operating Mode	yyyyy.BOxx1	Stop/Run	None	Binary Output	R/W	16
#xxNT - Control Mode	yyyyy.MOxx1	Heat/Cool/ Fan Only/Auto	None	Multi-State Output	R/W	16
#xxNT - Fan Speed Command	yyyyy.MOxx2	High/Medium/ Low/Auto	None	Multi-State Output	R/W	16
#xxNT - Ambient Temperature	yyyyy.Alxx1	(5-35) / (41-95)	None	Analog Input	R	None
#xxNT - Temperature Eng. Unit	yyyyy.Blxx1	°C/°F	None	Binary Input	R	None
#xxNT - Unoccupied Mode	yyyyy.Blxx2	Off/On	None	Binary Input	R	None
#xxNT - Binary Input	yyyyy.Blxx3	Open/Closed	None	Binary Input	R	None
#xxNT - Window Mode ^a	yyyyy.Mlxx1	Off/On/None	None	Multi-State Input	R	None
#xxNT - Fan Totalizator	yyyyy.AVxx1	0-999999	hr	Analog variable	R/W	None
#xxNT - Valve 1 Output Status	yyyyy.Alxx2	0-100	%	Analog Input	R	None
#xxNT - Valve 2 Output Status	yyyyy.Alxx3	0-100	%	Analog Input	R	None
#xxNT - Cooling Totalizator	yyyyy.AVxx2	0-999999	hr	Analog variable	R/W	None
#xxNT - Heating Totalizator	yyyyy.AVxx3	0-999999	hr	Analog variable	R/W	None
*** SYSTEM SELECT	yyyyy.AV1	*1	None	Analog variable	R/W	None
*** SYSTEM SELECT	yyyyy.AV2	*1	None	Analog variable	R	None
BMG_MANAGER_yyyyy	yyyyy.DEVyyyyy	Operational	None	Device	R	None

^a The value of this object is displayed as Off/On for NT10 Series or None for NT50 Series thermostats.

For NC24T and NC24A Networking Controller with Modbus RTU Communication Protocol

If the NC24T's or NC24A's MAC address is xx, its associated objects are:

Object Name	Object	Value	Unit	Type	Read/Write	Priority Array
#xxNC - Controller Setpoint	yyyyy.AOxx1	-99 to 999	None	Analog Output	R/W	16
#xxNC - X1 Analog Input Value	yyyyy.Alxx1	-99 to 999	None	Analog Input	R	None
#xxNC - X2 Analog Input Value	yyyyy.Alxx2	-99 to 999	None	Analog Input	R	None
#xxNC - ECO Mode Status	yyyyy.Blxx1	Off/On	None	Binary Input	R	None
#xxNC - Day/Night Mode Status	yyyyy.Blxx2	Day/Night	None	Binary Input	R	None
#xxNC - Engineering Unit	yyyyy.Mlxx1	°C/°F%/None	None	Multi-State Input	R	None
#xxNC - Application Number	yyyyy.AVxx1	1 to 12	None	Analog Variable	R	None
#xxNC - Setpoint Differential	yyyyy.AVxx2	(1 to 20)/(1 to 99)	None	Analog Variable	R	None
#xxNC - Control Bandwidth	yyyyy.AVxx3	-99 to 99	None	Analog Variable	R	None
#xxNC - Main Output Status	yyyyy.AVxx4	0 to 100	%	Analog Variable	R	None
#xxNC - Secondary Output Status	yyyyy.AVxx5	0 to 100	%	Analog Variable	R	None
#xxNC - Valve Stroke Time	yyyyy.AVxx6	10 to 240	sec	Analog Variable	R	None
#xxNC - Proportional Band	yyyyy.AVxx7	(1 to 20)/(1 to 99)	K	Analog Variable	R	None
#xxNC - Integral Time	yyyyy.AVxx8	0 to 30	min	Analog Variable	R	None
*** SYSTEM SELECT	yyyyy.AV1	*1	None	Analog Variable	R/W	None
*** SYSTEM SELECT	yyyyy.AV2	*1	None	Analog Variable	R	None
BMG_MANAGER_yyyyy	yyyyy.DEVyyyyy	Operational		Device	R	None