

Duct-Mount Temperature Controllers Installation Instructions

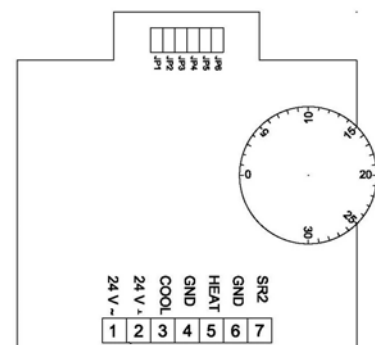
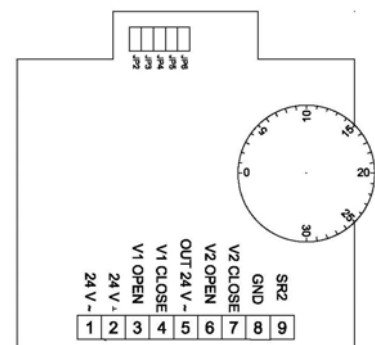
Application Notes

- On a single-output unit, connecting a shunting wire between terminals for seasonal changeover sensor forces the unit to go into heating mode.
- On a single-output unit, connecting a TE10-1 changeover sensor will automatically switch the unit between cooling and heating mode. When the sensor temperature exceeds 30°C, the controller enters into heating mode.
- On a dual-output unit, the main output is always associated with the cooling controlled device and the secondary output with the heating controlled device.
- The seasonal changeover sensor should be wrapped around the supply water pipe when associated with a water system. When the changeover sensor temperature exceeds 30 °C, the controller enters into heating mode.
- When using the seasonal changeover sensor, run the wires away from any electric motors or power wiring. Failure to do so may result in poor thermostat performance due to electrical noise.
- 22 or 24 AWG twisted shielded pair double-insulated cable is recommended as seasonal changeover sensor wiring and its length must not exceed 25 m.
- Do not bundle and run power wiring and seasonal changeover sensor wiring in the same conduit.
- It is highly recommended that the 24 VAC power supply is interlocked to the air-conditioning system so that the controller is shut down when the air-conditioning system is turned off.

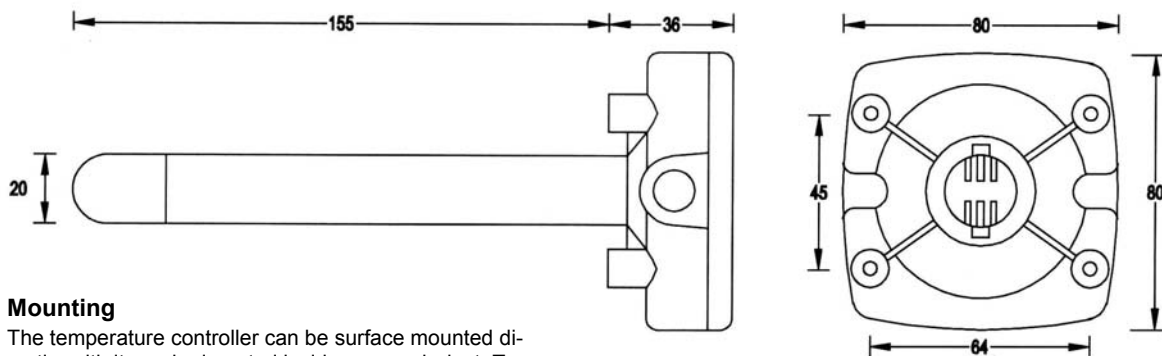
Jumper Settings and Locations

3-Wire Floating Controller				
Function Description	Jumper Number		Jumper Setting	Factory Setting
Proportional band	JP2	JP3	00: 1 K	
	JP2	JP3	01: 3 K	
	JP2	JP3	10: 5K	√
	JP2	JP3	11: 10 K	
Integral time	JP4	JP5	00: 0 s (P only)	
	JP4	JP5	01: 120 s	
	JP4	JP5	10: 1200 s	√
	JP4	JP5	11: 1800 s	
Deadband (for 4-pipe models only)	JP6		0: 2 K	
	JP6		1: 3 K	√
Notes: 0 = jumper removed 1 = jumper inserted				

0-10 VDC Proportional Controller				
Function Description	Jumper Number		Jumper Setting	Factory Setting
Output voltage	JP1		0: 0-10 VDC	√
	JP1		1: 2-10 VDC	
Proportional band	JP2	JP3	00: 1 K	
	JP2	JP3	01: 3 K	
	JP2	JP3	10: 5 K	√
	JP2	JP3	11: 10 K	
Integral time	JP4	JP5	00: 0 s (P only)	
	JP4	JP5	01: 120 s	
	JP4	JP5	10: 1200 s	√
	JP4	JP5	11: 1800 s	
Deadband (for 4-pipe models only)	JP6		0: 2 K	
	JP6		1: 3 K	√
Notes: 0 = jumper removed 1 = jumper inserted				



Dimensions in mm and Mounting

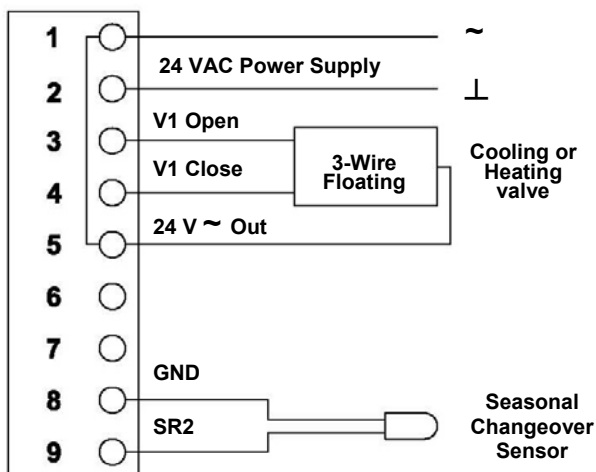


Mounting

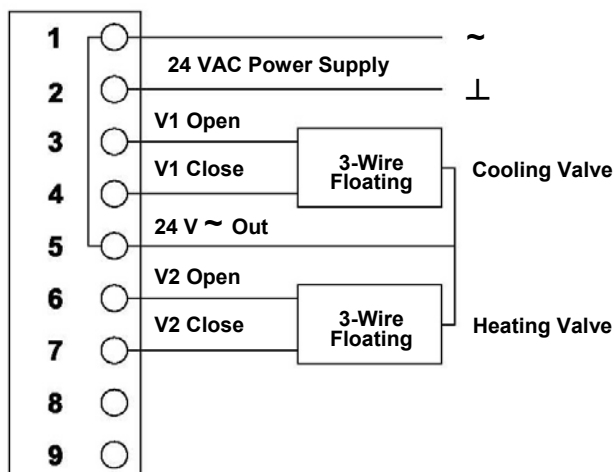
The temperature controller can be surface mounted directly, with its probe inserted inside, on an air duct. Two self-tapping mounting screws are included.

Wiring Diagrams

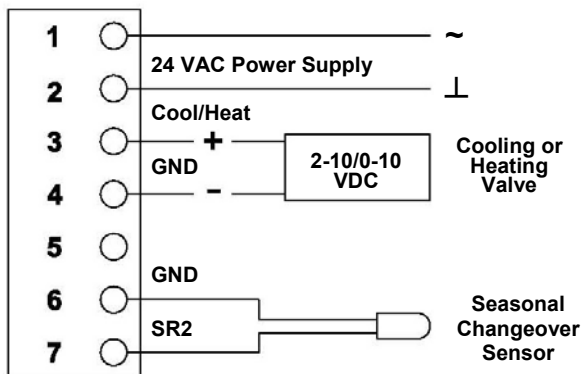
Single 3-Wire Floating Output Controller



Dual 3-Wire Floating Outputs Controller



Single 2-10/0-10 VDC Output Proportional Controller



Dual 2-10/0-10 VDC Outputs Proportional Controller

