

High Current Electronic Thermostats
(16 amp resistive, 6 amp inductive)
Installation and Operation Instructions

Figure 1: Dimensions in mm

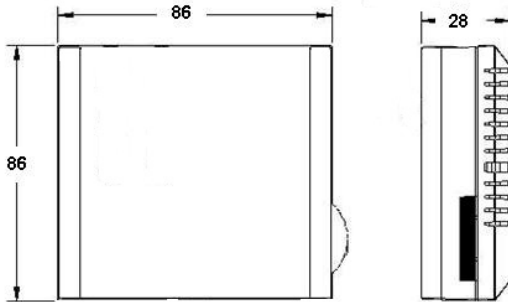


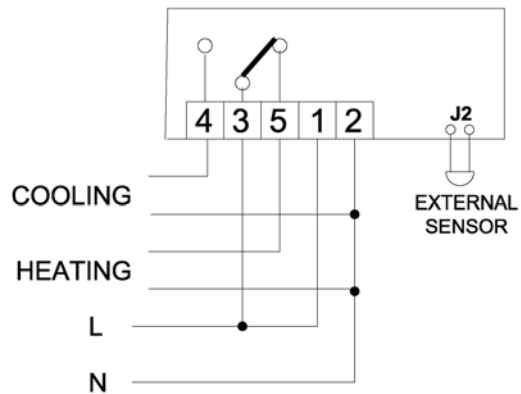
Figure 2: Mounting

The fan coil modulating thermostats can be surface mounted or secured to a standard European 75x75x35 mm electrical box. Two mounting screws are included

Figure 3: Wiring Diagrams

Wiring Notes

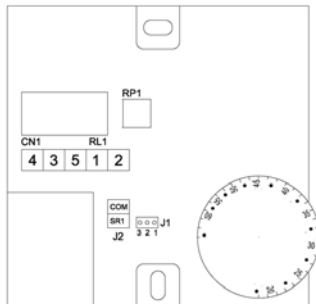
- 22 or 24 AWG twisted shielded pair double-insulated cable is recommended as external sensor wiring and its length must not exceed 25 m.
- Do not bundle and run power wiring and external sensor wiring in the same conduit.
- Run the external sensor wiring away from any electric motors or power wiring. Failure to do so may result in poor thermostat performance due to electrical noise.



WARNING

Incorrect wiring connection may cause permanent equipment damages to the thermostat.

Figure 4: Jumper Settings and Remote Sensor Connector



When external sensor is connected to connector J2 by means of wire leads RSL, insert jumper J1 to positions 2 and 3. Factory setting of J1 is at positions 1 and 2 for built-in sensor.

Temperature differential can be adjusted between 1 and 10 K by rotating RP1 pot.